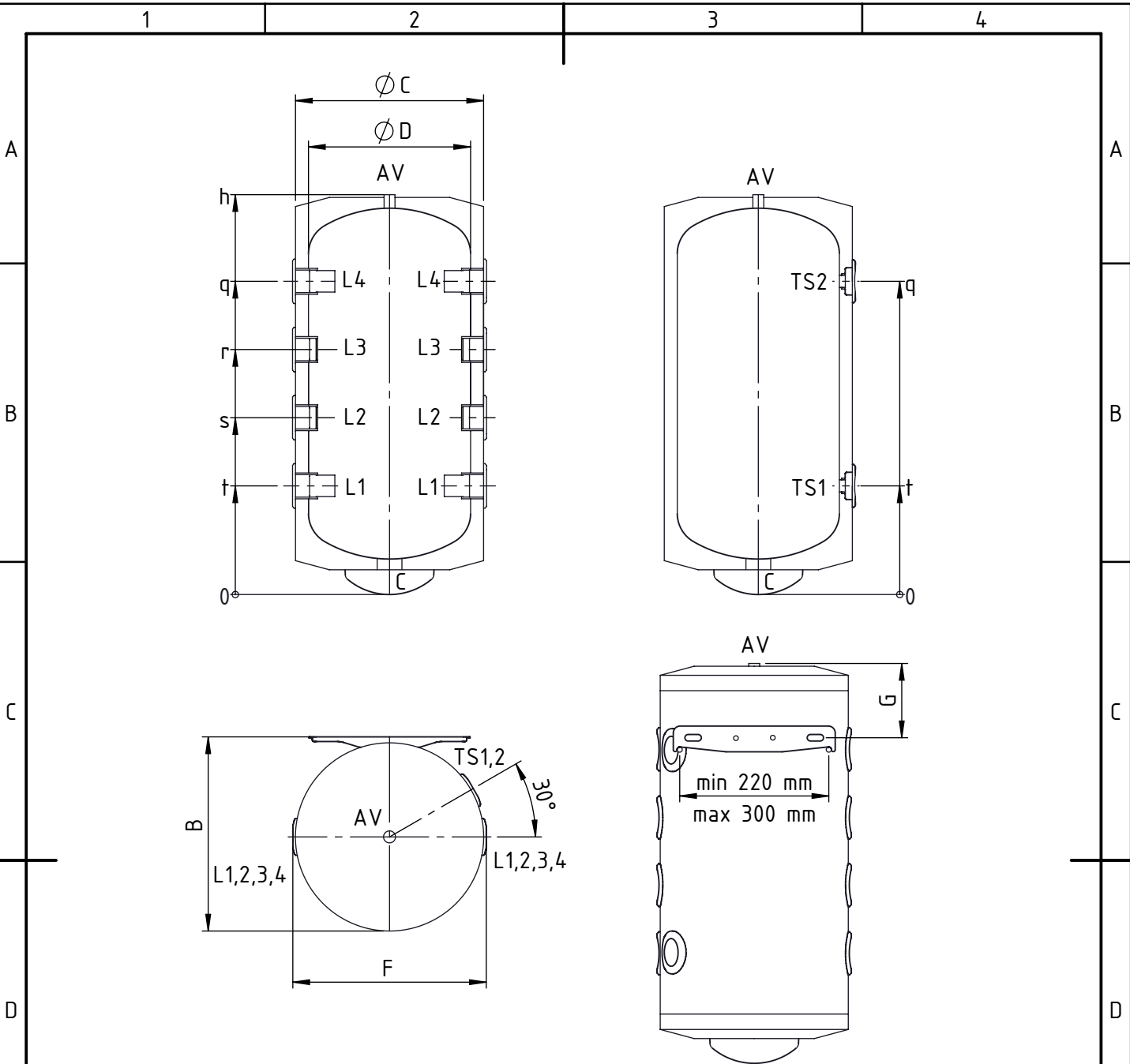


© Tesy Ltd. All rights reserved, also regarding disposal, exploitation, reproduction, editing, distribution as well as in the event of application for industrial property rights.



Thread designations according to EN ISO 288-1!

Dimintions		VB 8047 A02 P2	VB 10047 A02 P2			
h	mm	845	985			
q	mm	618	763	for ALL MODELS		
r	mm	498	593	TS1	thermo sensor pocket level 1	G 1/2"
s	mm	378	423	TS2	thermo sensor pocket level 2	G 1/2"
t	mm	258	253	AV	opening for air ventilation	G 1/2"
$\varnothing C$	mm	470	470	C	connection	G1 1/2"
$\varnothing D$	mm	404	404	L1	level 1	G1 1/2"
B	mm	496	496	L2	level 2	G1 1/2"
F	mm	475	475	L3	level 3	G1 1/2"
G	mm	174	174	L4	level 4	G1 1/2"

Title, Supplementary title
VB 1.2 80/10047 A02 P2 ERP

TESY

To terms of law we reserve us the ownership of the present sketch with prohibition of use and reproduction

Created by
Pavel Rusev

Checked by
Valentin Bozov

TIN
306147 / 306148

Material

Date of issue

2023-07-14

Approved by

Kiril Slavov

Drawing #
20230717-01-10

Weight

Volume

Linear tolerances (unless otherwise specified)

X. ± 1 X.X ± 0.5 X.XX ± 0.20

Scale

1:1

Page

1/1

Format

A4